



HEATGUARD® TEMPERING VALVE

HEAT110505 22mm Heatguard Tempering Valve



Overview

The Heatguard tempering valve takes a hot water supply directly from a hot water cylinder along with a cold water supply and mixes them together to deliver tempered water at a stable circulating temperature. The valve is pre-set and locked to 55°C which is the minimum recommended circulating temperature. Complete with 22mm direct compression connections, for ease of installation.



HEATGUARD® TEMPERING VALVE

Features and Benefits

- Pre-set and locked at 55°C
- Complete with 22mm direct compression connections
- Tamperproof cap
- Provides stable mixed water temperature
- Easy and quick to install

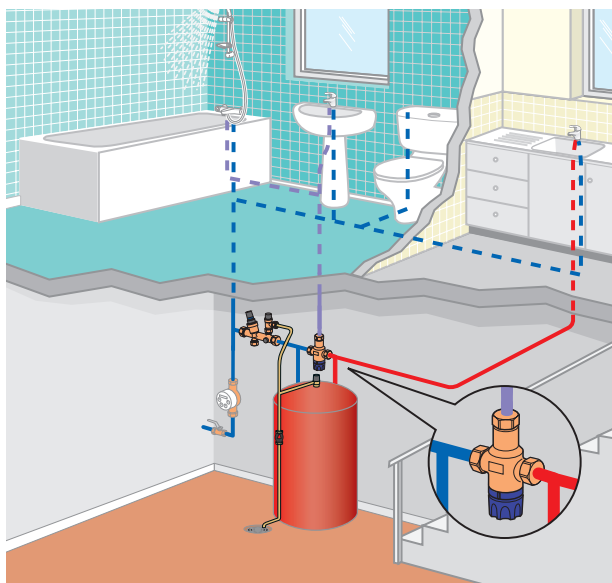
Specifications

Maximum water temperature	99°C
Pre-set temperature	55°C
Temperature adjustment range	Min 35°C Max 70°C
Maximum pressure	16 bar
Minimum working pressure	0.2 bar
Temperature differential	15°C
Minimum flow rate	4 lpm

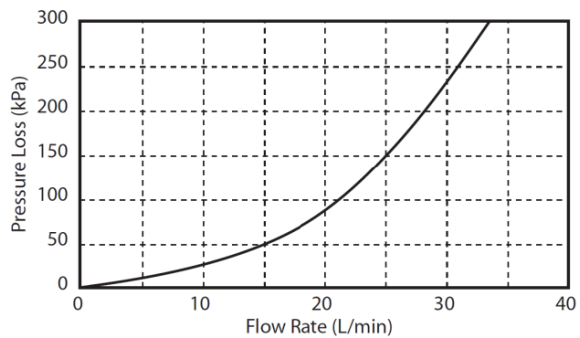
Approvals

WRAS Approved

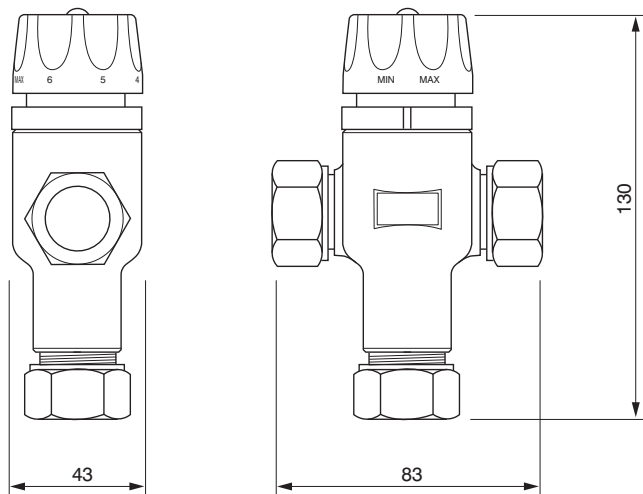
Typical Installation



Flow Rates



Dimensions



All dimensions shown in mm unless otherwise stated



Reliance Worldwide Corporation (UK) Ltd,
 Worcester Road, Evesham, Worcs. WR11 4RA, UK
 Tel: +44 (0)1386 712400 Fax: +44 (0)1386 712401 Web: www.rwc.co.uk