

TPR15 and TPR22 ranges

Features and Benefits

- Protects against temperature rising beyond 95°C
- Prevents over pressurisation
- Twist top cartridge design
- Range of different pressure settings
- Complete with PTFE coating (some models)



Description

Compact pressure and temperature relief valves designed to provide protection against over pressurisation, which can occur within an unvented hot water system if the input temperature or pressure controls fail. The valves are designed to be fitted to the upper portion of a hot water cylinder as this is where the hottest temperatures in the system will be found. If the system rises above 95°C, the wax mixture within the element of the temperature probe will expand, this will lift the valve off its seat and release water to waste, therefore reducing the pressure within the cylinder. Also if the water pressure increases (without temperature increase) the valve will stay closed until the set pressure of the relief mechanism is reached, at which point the valve will again open and the excess pressure is relieved. Some models come complete with a PTFE coating on the MBSP inlet thread which can save valuable time on installation.

PRESSURE AND TEMPERATURE RELIEF VALVES

Specification Sheet



The Safety Valve Specialist

Specifications

Temperature relief	90-95°C
Pressure relief tolerance	+/-5%
kW rating: TPR15 range	10kW
TPR22 range	25kW
Maximum ambient temperature	100°C
Short probe length	30mm
Standard probe length	95mm
Long probe length	200mm

Approvals

WRAS No. 0910311

Standards

BS EN 1490

Product Codes

TPR15 Pressure & Temperature Relief Valves

Code	Connection size	Pre-set pressure setting
------	-----------------	--------------------------

Standard Probe

PTEM550852	½"MBSP x 15mm	7bar w/o PTFE
PTEM550853	½"MBSP x 15mm	10bar with PTFE
PTEM550854	½"MBSP x 15mm	7bar with PTFE
PTEM550855	½"MBSP x 15mm	4bar with PTFE
PTEM550856	½"MBSP x 15mm	4.5bar with PTFE
PTEM550857	½"MBSP x 15mm	6bar with PTFE
PTEM550860	½" Parallel Threads	7bar
PTEM550954	15mm x 15mm	7bar

Short Probe

PTEM550870	½"MBSP x 15mm	7bar w/o PTFE
------------	---------------	---------------

Long Probe

PTEM550951	½"MBSP x 15mm	7bar w/o PTFE
PTEM550953	15mm x 15mm	7bar
PTEM550955	½"MBSP x 15mm	10bar w/o PTFE
PTEM550956	½"MBSP x 15mm	6bar w/o PTFE

TPR22 Pressure & Temperature Relief Valves

Code	Connection size	Pre-set pressure setting
------	-----------------	--------------------------

Standard Probe

PTEM575200	¾"MBSP x 22mm	4.5bar w/o PTFE
PTEM575205	¾"MBSP x 22mm	7bar w/o PTFE
PTEM575210	¾"MBSP x 22mm	10bar w/o PTFE

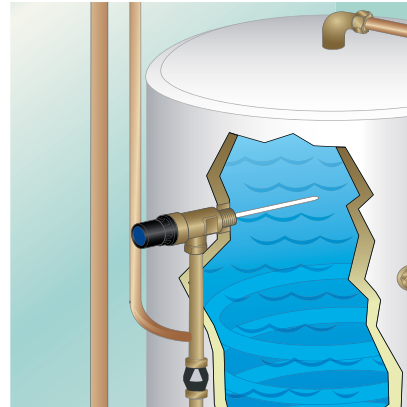
Short Probe

PTEM575870	¾"MBSP x 22mm	7bar w/o PTFE
------------	---------------	---------------

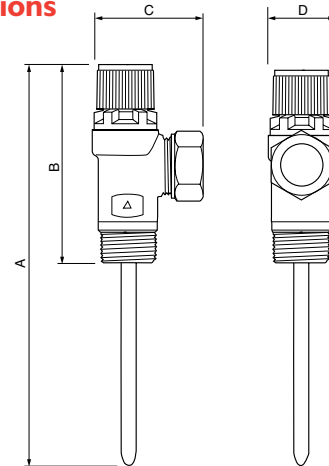
Long Probe

PTEM575250	¾"MBSP x 22mm	7bar w/o PTFE
------------	---------------	---------------

Typical installation



Dimensions



Product Code	A	B	C	D
PTEM550852	187	88	49	31
PTEM550853	187	88	49	31
PTEM550854	187	88	49	31
PTEM550855	187	88	49	31
PTEM550856	187	88	49	31
PTEM550857	187	88	49	31
PTEM550860	187	88	49	31
PTEM550954	187	88	49	31
PTEM550870	124	88	49	31
PTEM550951	291	88	49	31
PTEM550953	291	88	49	31
PTEM550955	291	88	49	31
PTEM550956	291	88	49	31
PTEM575200	187	98	52	31
PTEM575205	187	98	52	31
PTEM575210	187	98	52	31
PTEM575870	124	98	52	31
PTEM575250	291	98	52	31

All dimensions shown in mm unless otherwise stated

Reliance Water Controls Ltd

A Reliance Worldwide Company

Worcester Road, Evesham, Worcestershire, WR11 4RA, UK. UK – Freephone: 0800 389 5931

Freefax: 0800 389 5932 Outside UK – Tel: +44 (0)1386 712400 Fax: +44 (0)1386 712401 Email: sales@rwc.co.uk

www.rwc.co.uk