

311 & 312

safety relief valve



WRAS
APPROVED
PRODUCT



altecnic

311 & 312 safety relief valve



series 311



series 312

Application

The Altecnic series 311 and 312 safety relief valves are used in domestic hot water systems to protect the hot water cylinder and in heating systems to protect boiler and other components.

The valve is selected for the required set pressure. As the pressure rises, when the discharge pressure is reached the valve opens and discharges to atmosphere, preventing the pressure within the system reaching levels which would be dangerous for the boiler, hot water storage cylinder and any personnel in the adjacent vicinity.

Construction Details

| Component | Material | Grade |
|--------------|-----------------|--------------------|
| Body | Brass | BS EN 12165 CW617N |
| Cover | Brass | BS EN 12165 CW617N |
| Stem | Brass | BS EN 12164 CW614N |
| Diaphragm | EPDM | |
| Spring | Stainless steel | |
| Control Knob | ABS Polymer | |

| Product Code | Set Pressure bar | Discharge Pressure bar | Re-Seating Pressure bar | Discharge Flowrate kg/hr | Max Boiler Rating kW |
|--------------|------------------|------------------------|-------------------------|--------------------------|----------------------|
|--------------|------------------|------------------------|-------------------------|--------------------------|----------------------|

Series 311 Range

| | | | | | |
|--------|-----|-----|-----|-------|-------|
| 311425 | 2.5 | 3.0 | 2.0 | 124.4 | 72.3 |
| 311430 | 3 | 3.6 | 2.4 | 142.1 | 82.5 |
| 311460 | 6 | 7.2 | 4.8 | 248.8 | 144.6 |
| 311470 | 7 | 8.4 | 5.6 | 284.3 | 165.2 |
| 311480 | 8 | 9.6 | 6.4 | 322.7 | 187.5 |
| 311525 | 2.5 | 3.0 | 2.0 | 124.4 | 72.3 |
| 311530 | 3 | 3.6 | 2.4 | 142.1 | 82.5 |
| 311560 | 6 | 7.2 | 4.8 | 248.8 | 144.6 |
| 311570 | 7 | 8.4 | 5.6 | 284.3 | 165.2 |
| 311580 | 8 | 9.6 | 6.4 | 322.7 | 187.5 |

Series 312 Range

| | | | | | |
|-----------|-----|-----|-----|-------|-------|
| 312405CST | 4 | 4.8 | 3.2 | 178.2 | 103.3 |
| 312425 | 2.5 | 3.0 | 2.0 | 124.4 | 72.3 |
| 312430 | 3 | 3.6 | 2.4 | 142.1 | 82.5 |
| 312460 | 6 | 7.2 | 4.8 | 248.8 | 144.6 |
| 312470 | 7 | 8.4 | 5.6 | 284.3 | 165.2 |
| 312480 | 8 | 9.6 | 6.4 | 322.7 | 187.5 |

CE Mark

Series 311 & 312 safety relief valves meet the requirements of the European Directive 97/23/CE for pressurised equipment often referred to PED.

They are therefore classified in Category IV and granted the CE Mark.

E & O.E

Altecnic Ltd Mustang Drive, Stafford, Staffordshire ST16 1GW

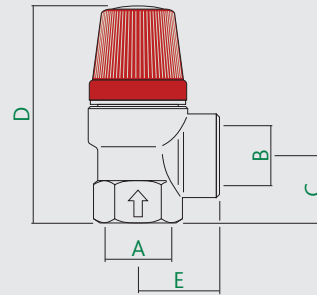
T: +44 (0)1785 218200 E: sales@altecnic.co.uk

Registered in England No: 2095101

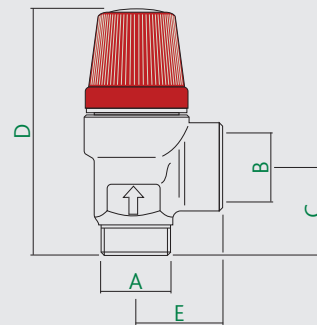
altecnic.co.uk

AL 002 28-01-11

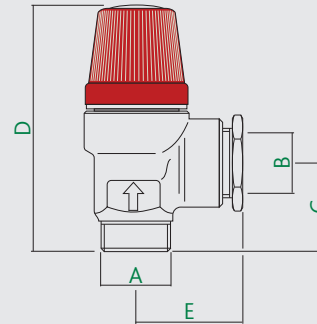
Dimensions



| Prod Code | A | B | C | D | E | kg |
|-----------|----|----|----|----|----|------|
| 3114 | G½ | G½ | 20 | 66 | 26 | 0.13 |
| 3115 | G¾ | G¾ | 24 | 28 | 28 | 0.20 |



| Prod Code | A | B | C | D | E | kg |
|-----------|-----|----|----|----|----|------|
| 3124 | G½B | G½ | 24 | 70 | 26 | 0.13 |



| Prod Code | A | B | C | D | E | kg |
|-----------|-----|------|----|----|----|------|
| 312405CST | G½B | 15mm | 24 | 70 | 32 | 0.15 |

Technical Data

| | |
|-----------------------|---------------|
| Medium: | water and air |
| Temperature range: | 5 to 110°C |
| Set pressure range: | 2.5 to 8 bar |
| Max. static pressure: | 10 bar |
| PED category: | IV |
| WRAS approved product | |